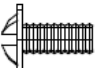


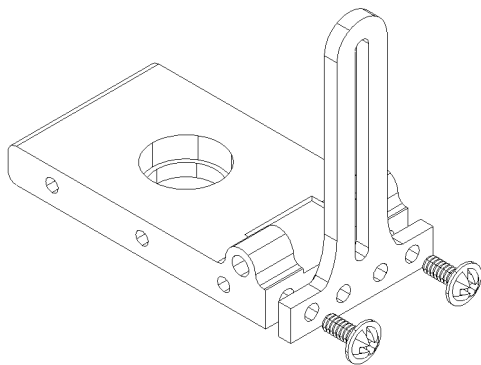
## Preface

Thanks for purchasing Guru-Z products. The Fiber Body is a strengthened and durable frame for BladeCP / HBCP2 / FP2 / Walkera 4#. Please read the manual carefully before assembling the model. You may always get the latest online version of the manual via <http://www.guru-z.com>

## Warning

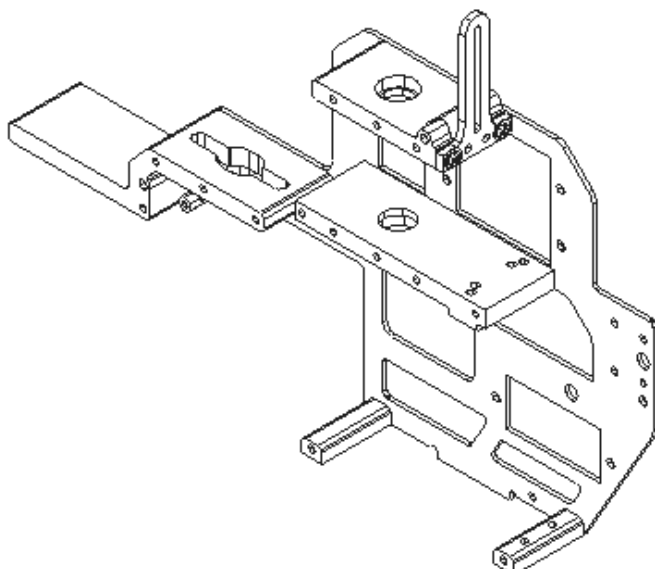
RC helicopters are not toys! Choose a safe location to fly your model and confirm you have done the safety measures before starting the model.

Screws used	Quantity
 1.7 X 5	2 pcs



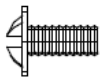
**1. Tighten the swash plate holder**

Screws used	Quantity
nil	Nil

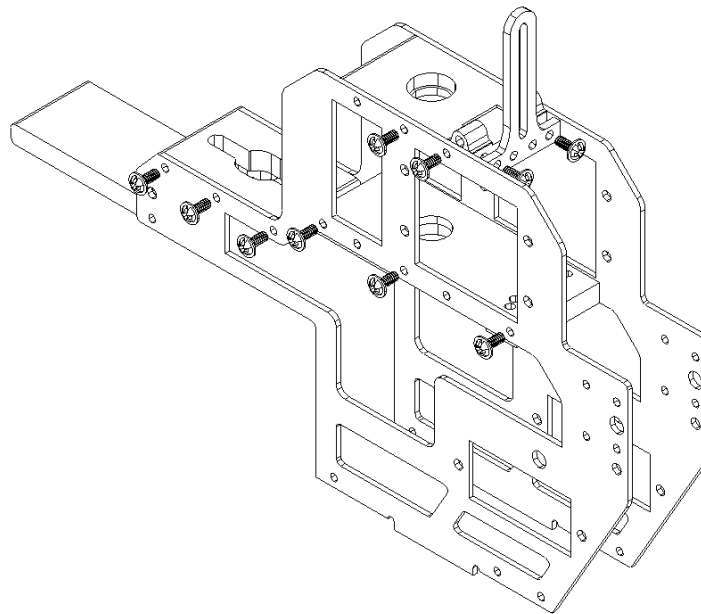


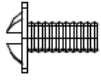

**2. The position of the parts are as shown in the diagram.**

**PS: Install Servo at this stage will be easier.**

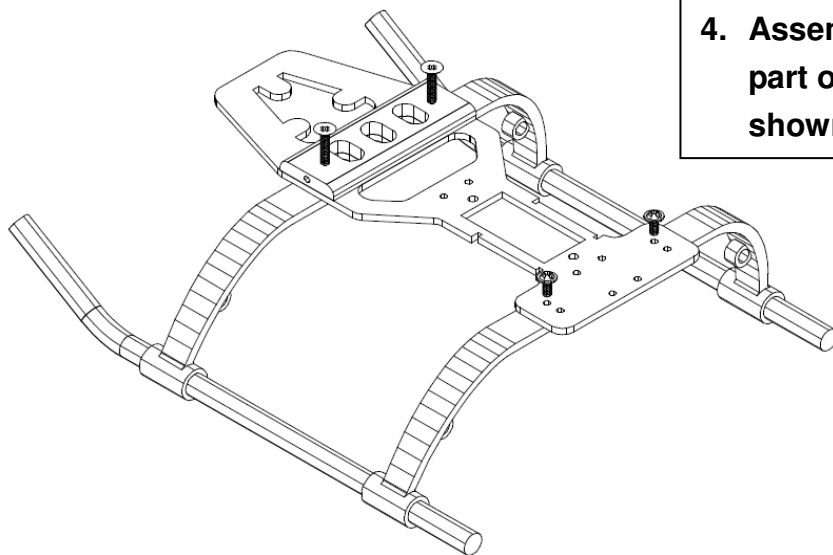
Screws used	Quantity
 1.7 X 5	18 pcs

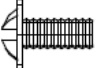

**3. Tighten the 2 side fiber board with the screws provided. Please follow the diagram for the position of screws.**

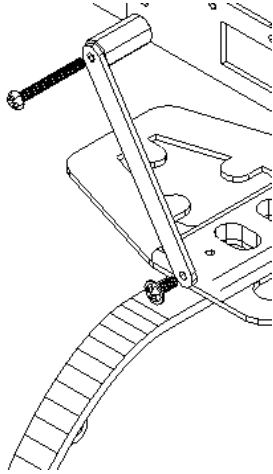


Screws used	Quantity
 1.7 X 5	2 pcs
 1.7 X 7	2 pcs

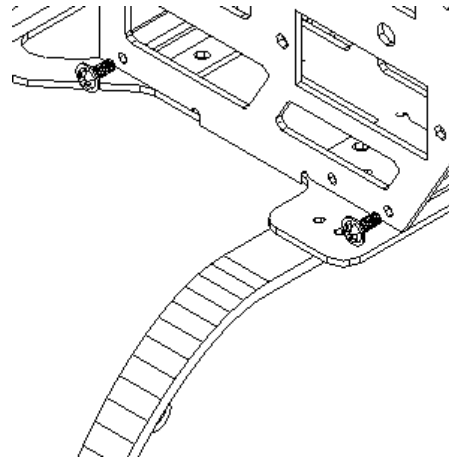
**4. Assemble the lower part of the body as shown.**



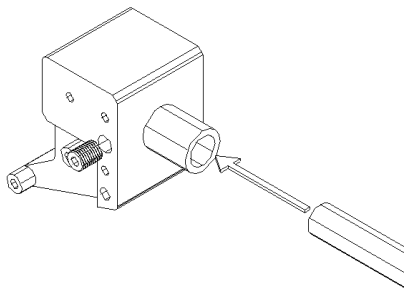
Screws used	Quantity
 1.7 X 5	12 pcs
 M2X14	2 pcs



**5. Install the battery support rod. Please note that one of the hole is bigger for the 2mm screws.**



**6. Tighten the lower frame with 4 pcs of screws.**



**7. Fit the tail boom into the Tail boom Mount and then lock it.**

**8. Secure the Tail Boom Mount to the frame as shown.**

